

# Spare Parts List



# Label Printer A6+

## 2 Spare parts list for the following products

2

Family	Type	
A+	A6+/200	A6+/200P
	A6+/300	A6+/300P

**Edition:** 12/2014 - Part No. 9008768

### Copyright

This documentation as well as translation hereof are property of cab Produkttechnik GmbH & Co. KG.

The replication, conversion, duplication or divulgement of the whole manual or parts of it for other intentions than its original intended purpose - in particular the procurement of spare parts for products sold by cab – demand the previous written authorisation by cab.

### Editor

Regarding questions or comments please contact  
cab Produkttechnik GmbH & Co. KG.

### Topicality

Due to the constant further development of our products discrepancies between documentation and product can occur.  
Please check [www.cab.de](http://www.cab.de) for the latest update.

### Terms and conditions

Deliveries and performances are effected under the "General conditions of sale of cab"

## Table of Contents

1	Chassis, Cover .....	3
2	Control Panel, Power Supply, PCB CPU .....	4
3	Printhead Assembly .....	5
4	Print Roller Assembly, Label Sensor .....	6
5	Main Drive, Roll Retainer .....	7
6	Transfer Ribbon Winders .....	8
7	Internal Rewinder .....	9
8	Spare Parts Register .....	10
9	Packaging/Accessories .....	12

### Germany

cab Produkttechnik  
GmbH & Co KG  
Postfach 1904  
D-76007 Karlsruhe  
Wilhelm-Schickard-Str. 14  
D-76131 Karlsruhe  
Telefon +49 721 6626-0  
Telefax +49 721 6626-249  
[www.cab.de](http://www.cab.de)  
[info@cab.de](mailto:info@cab.de)

### France

cab technologies s.a.r.l.  
F-67350 Niedermodern  
Téléphone +33 388 722 501  
[www.cab.de/fr](http://www.cab.de/fr)  
[info.fr@cab.de](mailto:info.fr@cab.de)

### USA

cab Technology Inc.  
Tyngsboro MA, 01879  
Phone +1 978 649 0293  
[www.cab.de/us](http://www.cab.de/us)  
[info.us@cab.de](mailto:info.us@cab.de)

### Asia 亚洲

cab Technology Co., Ltd.  
希愛比科技股份有限公司  
Junghe, Taipei, Taiwan  
Phone +886 2 8227 3966  
[www.cab.de/tw](http://www.cab.de/tw)  
[info.asia@cab.de](mailto:info.asia@cab.de)

### China 中国

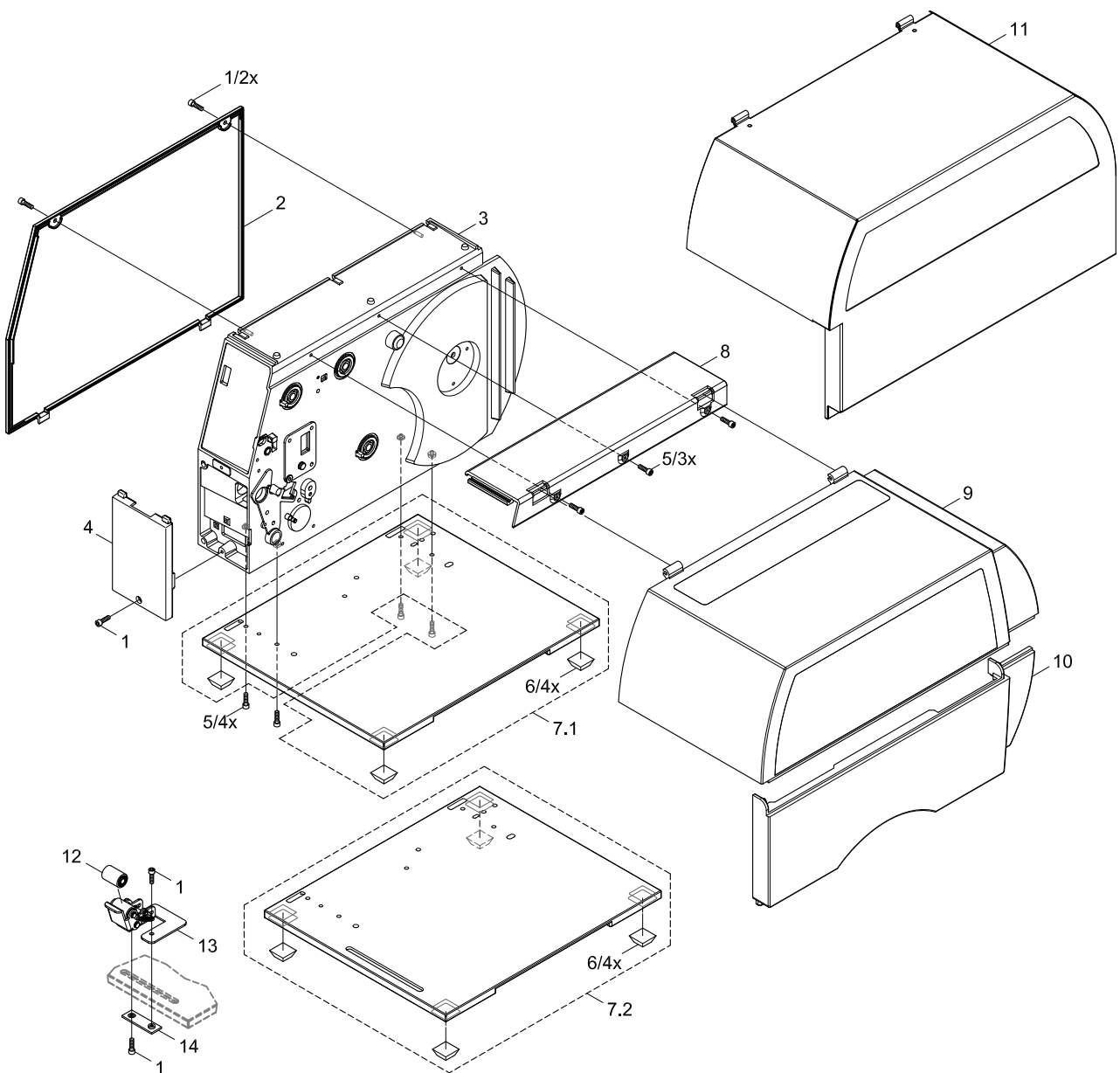
cab (Shanghai) Trading Co., Ltd.  
乾博(上海)贸易有限公司  
Phone +86 21 6236-3161  
[www.cab.de/cn](http://www.cab.de/cn)  
[info.cn@cab.de](mailto:info.cn@cab.de)

Representatives in other countries on request

No	Part No.	Description	PU	Note	Serial No.	
					from	to
1	5902241.001	Screw DIN7984-M4x10	10			
2	5954399.001	Cover Plate	1			
3.1	5954019.001	Chassis	1	a		
3.2	5958778.001	Chassis	1	b		
3.3	5958779.001	Chassis	1	c		
3.4	5953897.001	Chassis	1	d		
4	5943004.001	Cover	1	ac		
5	5902565.001	Screw DIN7984-M4x10	10			
6	5905652.001	Foot	1			

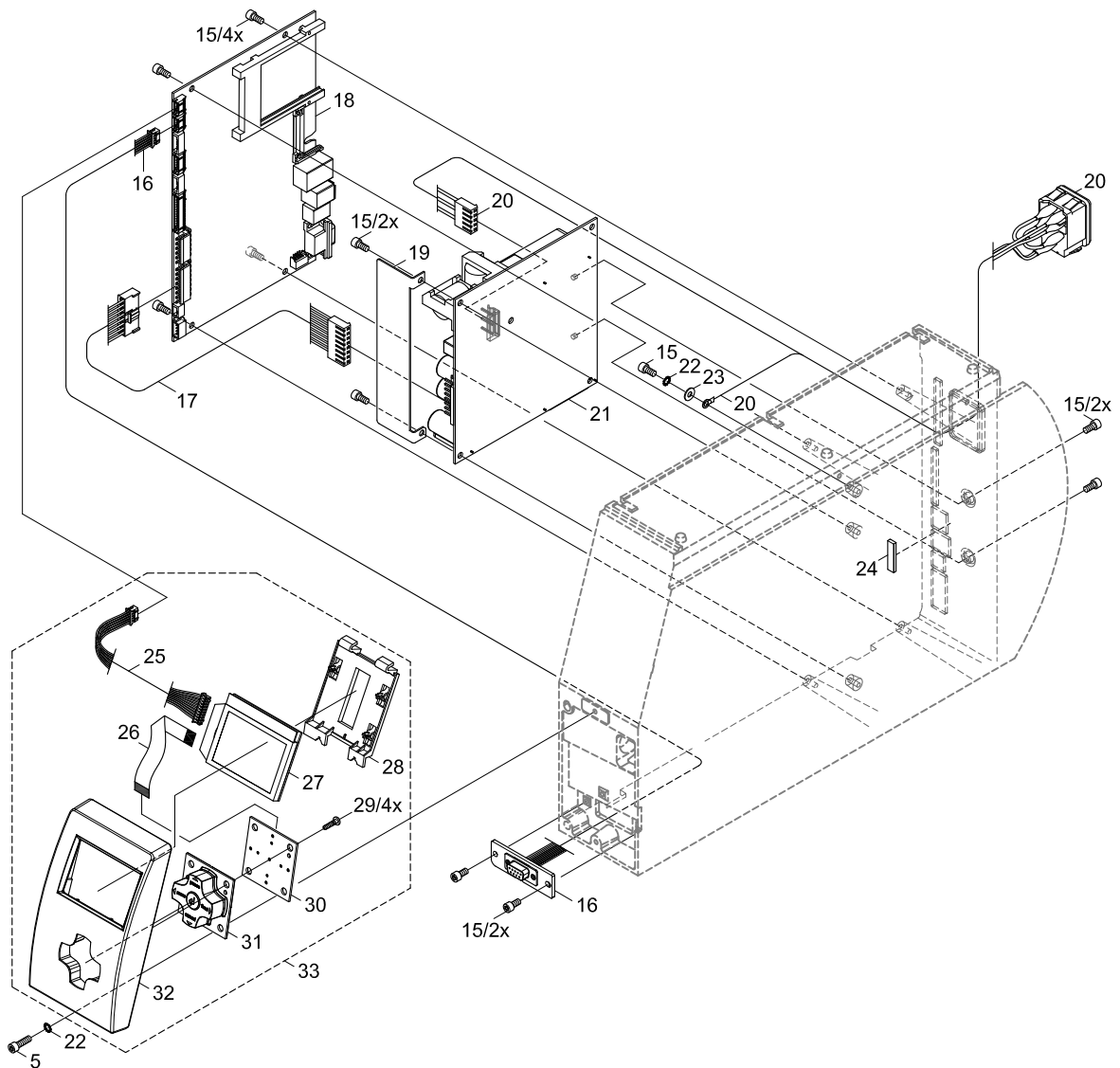
No	Part No.	Description	PU	Note	Serial No.	
					from	to
7.1	5943196.001	Baseplate	1	ac		
7.2	5946478.001	Baseplate	1	bd		
8	5943113.001	Cover	1			
9	5954016.001	Cover cab A6+	1			
10	5943007.001	Cover	1			
11	5954013.001	Metal Cover	1			
12	5946462.001	Pinch Roller	1	bd		
13	5946450.001	Locking System	1	bd		
14	5946480.001	Plate	1	bd		

Notes	a	A6+...
	b	A6+...P
	c	A6+... Direct Thermal
	d	A6+...P Direct Thermal



No	Part No.	Description	PU	Note	Serial No.	
					from	to
5	5902565.001	Screw DIN7984-M4x10	10			
15	5902571.001	Screw DIN7984-M4x6	10			
16	5954095.001	Cable Periphery	1			
17	5943107.001	Cable Power Supply	1			
18	5551118.001	CPU X2	1			
19	5954179.001	Cover Plate	1			
20	5955046.001	Power Input Module	1			
21	5956220.001	Power Supply	1			
22	5903011.001	Toothed Washer DIN6797-A4.3	10			
23	5903003.001	Washer DIN125-A4.3	10			

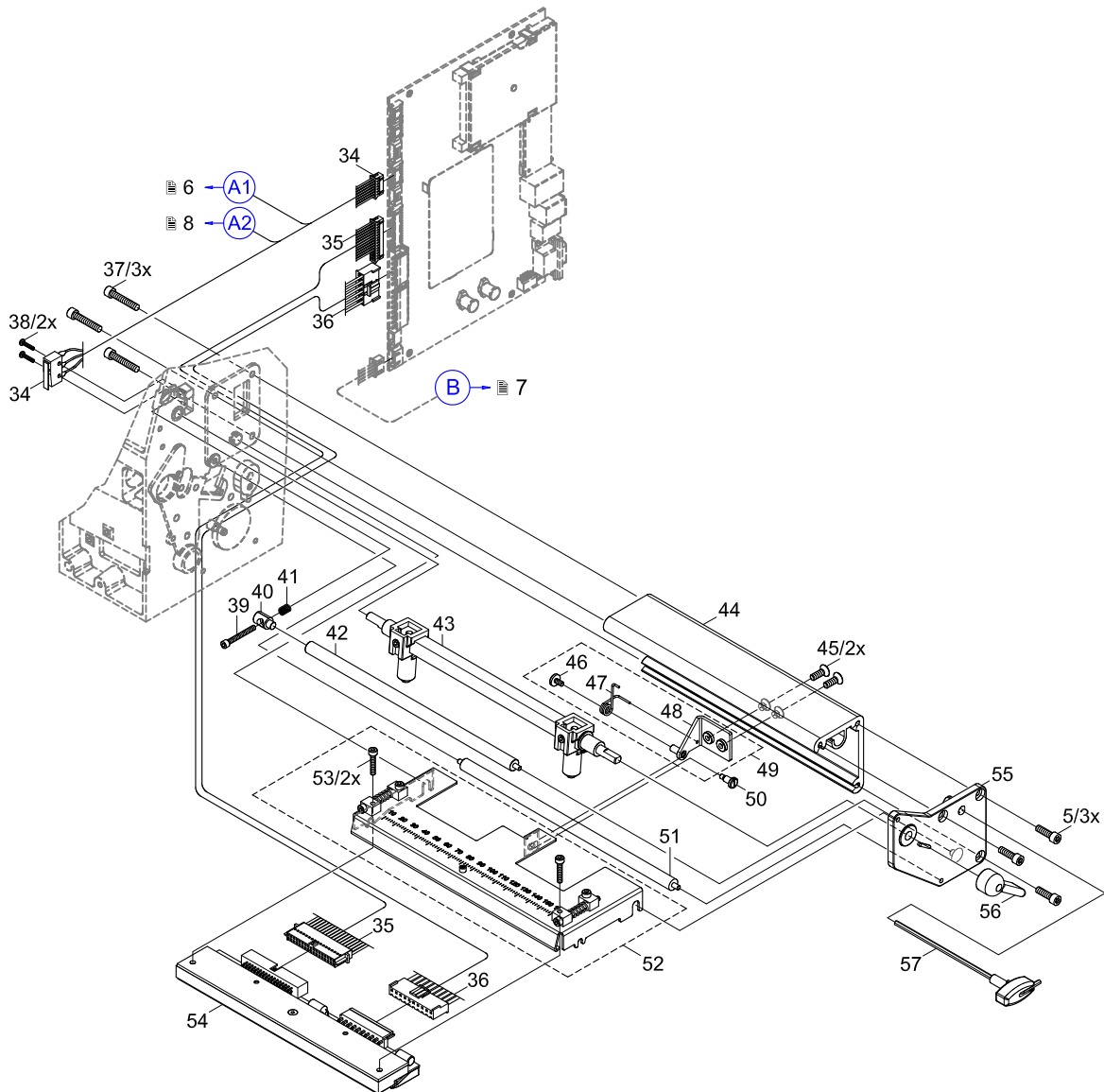
No	Part No.	Description	PU	Note	Serial No.	
					from	to
24	5954132.001	Strip	5			
25	5954097.001	Cable Control Panel	1			
26	5954027.001	Cable Control Panel	1			
27	5540868.001	LCD Display	1			
28	5954026.001	Holder	1			
29	5902414.001	Screw EJOT-PT-K30x12	10			
30	5955034.001	PCB Navi Button	1			
31	5540930.001	Navigator Pad	1			
32	5954025.001	Control Panel Cover	1			
33	5954020.001	Control Panel	1			



No	Part No.	Description	PU	Note	Serial No.	
					from	to
5	5902565.001	Screw DIN7984-M4x10	10			
34	5954098.001	Cable Sensors	1			
35	5954259.001	Cable Printhead	1			
36	5954258.001	Cable Printhead	1			
37	5902572.001	Screw DIN7984-M4x16	10			
38	5902457.001	Screw DIN7985-M2x10	10			
39	5902011.001	Screw DIN912-M3x20	10			
40	5954060.001	Pivot Arm	1			
41	5906136.001	Spring	5			
42	5954243.001	Roller Ribbon	1			
43	5954240.001	Printhead Locking System	1			
44	5954216.001	Profile	1			
45	5902573.001	Screw DIN7991-M4x8	10			

No	Part No.	Description	PU	Note	Serial No.	
					from	to
46	5902823.001	Screw DIN921-M3x6	10			
47	5954239.001	Spring	1			
48	5954134.001	Bracket	1			
49	5954261.001	Bracket	1			
50	5902145.001	Screw DIN923-M3x6	10			
51	5954242.001	Roller	1			
52	5954231.001	Printhead Mounting Bracket	1			
53	5902474.001	Screw DIN912-M3x16	10			
54.1	5954217.001	Printhead 6/200	1	e		
54.2	5954106.001	Printhead 6/300	1	f		
55	5959742.001	Side Plate	1			
56	5954059.001	Lever	1			
57	5946113.001	Allen Key	1			

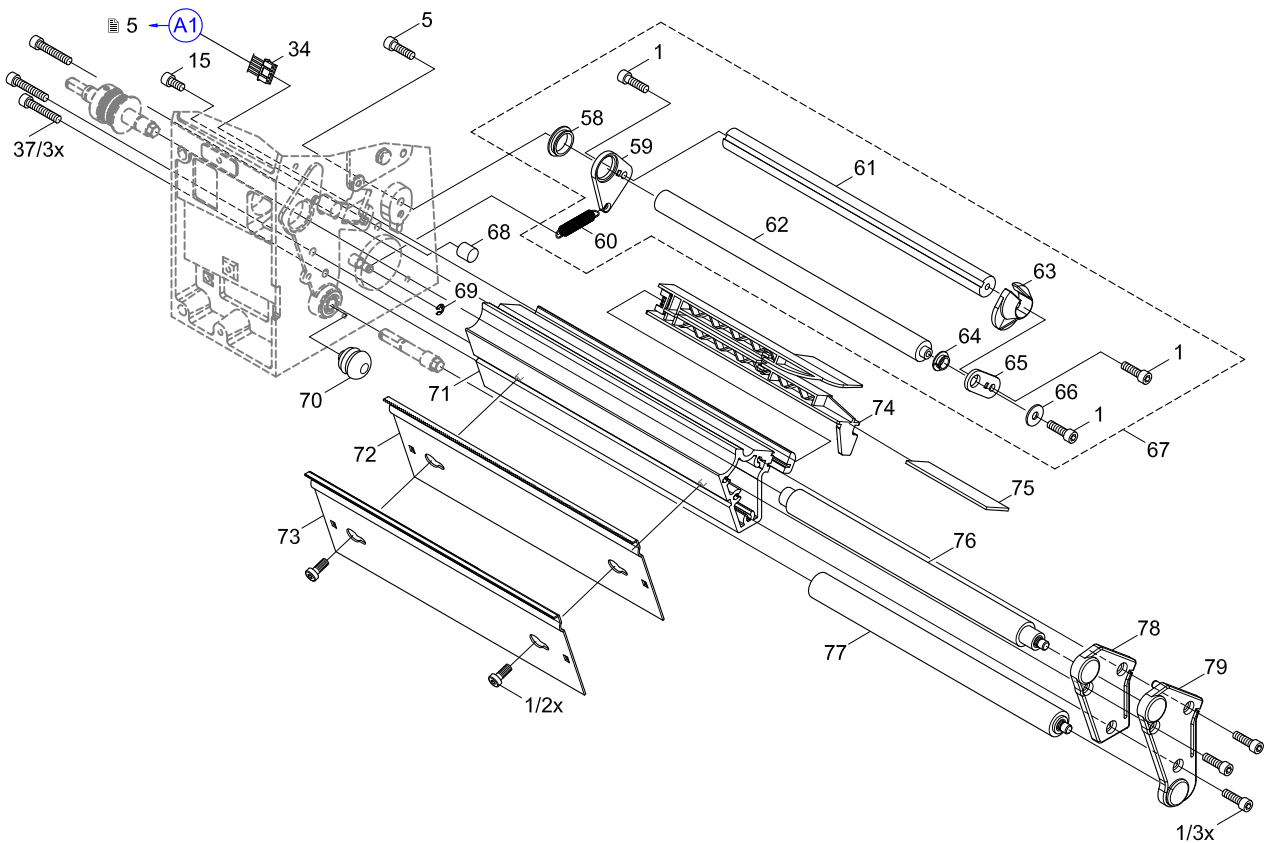
Notes	e	A6+/200 (P)
	f	A6+/300 (P)



No	Part No.	Description	PU	Note	Serial No.	
					from	to
1	5902241.001	Screw DIN7984-M4x10	10			
5	5902565.001	Screw DIN7984-M4x10	10			
15	5902571.001	Screw DIN7984-M4x6	10			
34	5954098.001	Cable Sensors	1			
37	5902572.001	Screw DIN7984-M4x16	10			
58	5901026.001	Plastic Bushing	1			
59	5946570.001	Bearing Plate	1			
60	5906112.001	Spring	1			
61	5946576.001	Axle	1			
62	5946575.001	Axle	1			
63	5943025.001	Media Guide Ring	1			
64	5901036.001	Plastic Bushing	1			
65	5946571.001	Bearing Plate	1			
66	5903005.001	Washer DIN9021-4.3	10			

No	Part No.	Description	PU	Note	Serial No.	
					from	to
67	5946581.001	Swing	1			
68	5905885.001	Stopper M4x10	1			
69	5903507.001	E-Ring DIN6799-3.2	10			
70	5905866.001	Stopper 16x0.8	1	ac		
71	5954244.001	Profile	1			
72	5946414.001	Tear-off Plate TP6	1	ac		
73	5946413.001	Dispense Plate DP6	1	bd		
74	5954090.001	Label Sensor	1			
75	5943225.001	Strip	1			
76	5954245.001	Drive Roller DR6	1			
77	5954246.001	Roller RR6	1	bd		
78	5958711.001	Side Plate	1	ac		
79	5958713.001	Side Plate	1	bd		

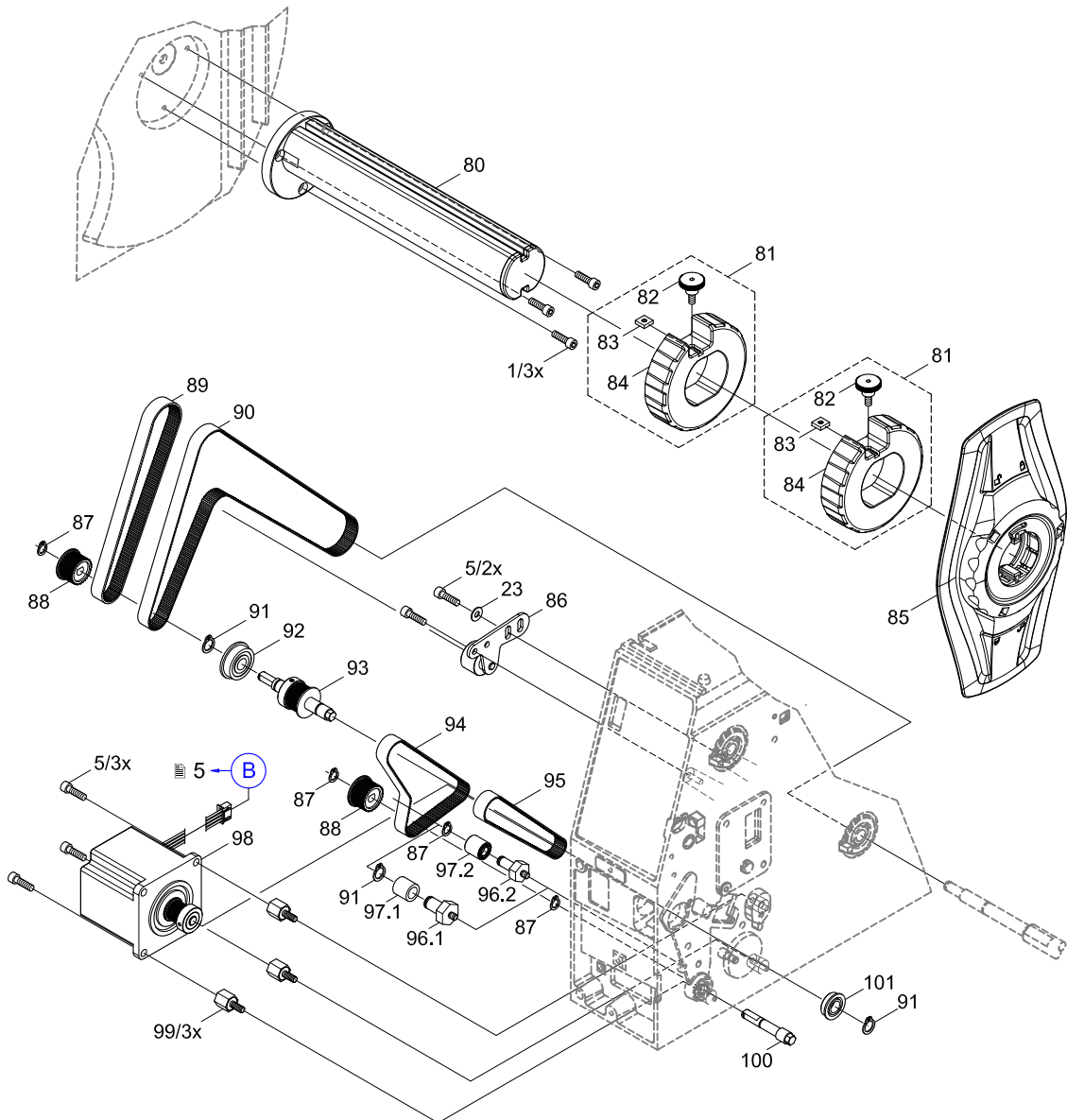
Notes	a	A6+...
	b	A6+...P
	c	A6+... Direct Thermal
	d	A6+...P Direct Thermal



No	Part No.	Description	PU	Note	Serial No.	
					from	to
1	5902241.001	Screw DIN7984-M4x10	10			
5	5902565.001	Screw DIN7984-M4x10	10			
23	5903003.001	Washer DIN125-A4.3	10			
80	5959807.001	Media Hub	1			
81	5959612.001	Adapter 75 mm Ø	1			
82	5959624.001	Knurled Screw	1			
83	8910053.001	Square Nut M4 8mm	10			
84	5959611.001	Adapter 75 mm Ø	1			
85	5959937.001	Margin Stop	1			
86	5954160.001	Belt Tension Bracket	1			
87	5903521.001	Snap Ring DIN471-A6	10			
88	5946238.001	Gear 29	1			
89	5905196.001	Belt 150MXL 037	1	ac		
90	5906135.001	Belt 300MXL 037	1	bd		

No	Part No.	Description	PU	Note	Serial No.	
					from	to
91	5903516.001	Snap Ring DIN471-8x0.8	10			
92	5901090.001	Ball Bearing DIN625-F608-ZZ	1			
93	5954182.001	Shaft	1			
94	5905857.001	Belt 120MXL 037	1	bd		
95	5905649.001	Belt 106MXL 037	1	ac		
96.1	5954185.001	Bolt	1	bd		139908
96.2	5954158.001	Bolt	1	bd	139909	
97.1	5901034.001	Bushing	1	bd		139908
97.2	5954157.001	Roller	1	bd	139909	
98	5946206.001	Stepper Motor	1			
99.1	5906157.001	Shock Absorber	5	ac		
99.2	5949727.001	Distance Bolt M4x10	1	bd		
100	5954184.001	Shaft	1	bd		
101	5901071.001	Ball Bearing DIN625-F688-ZZ	1			

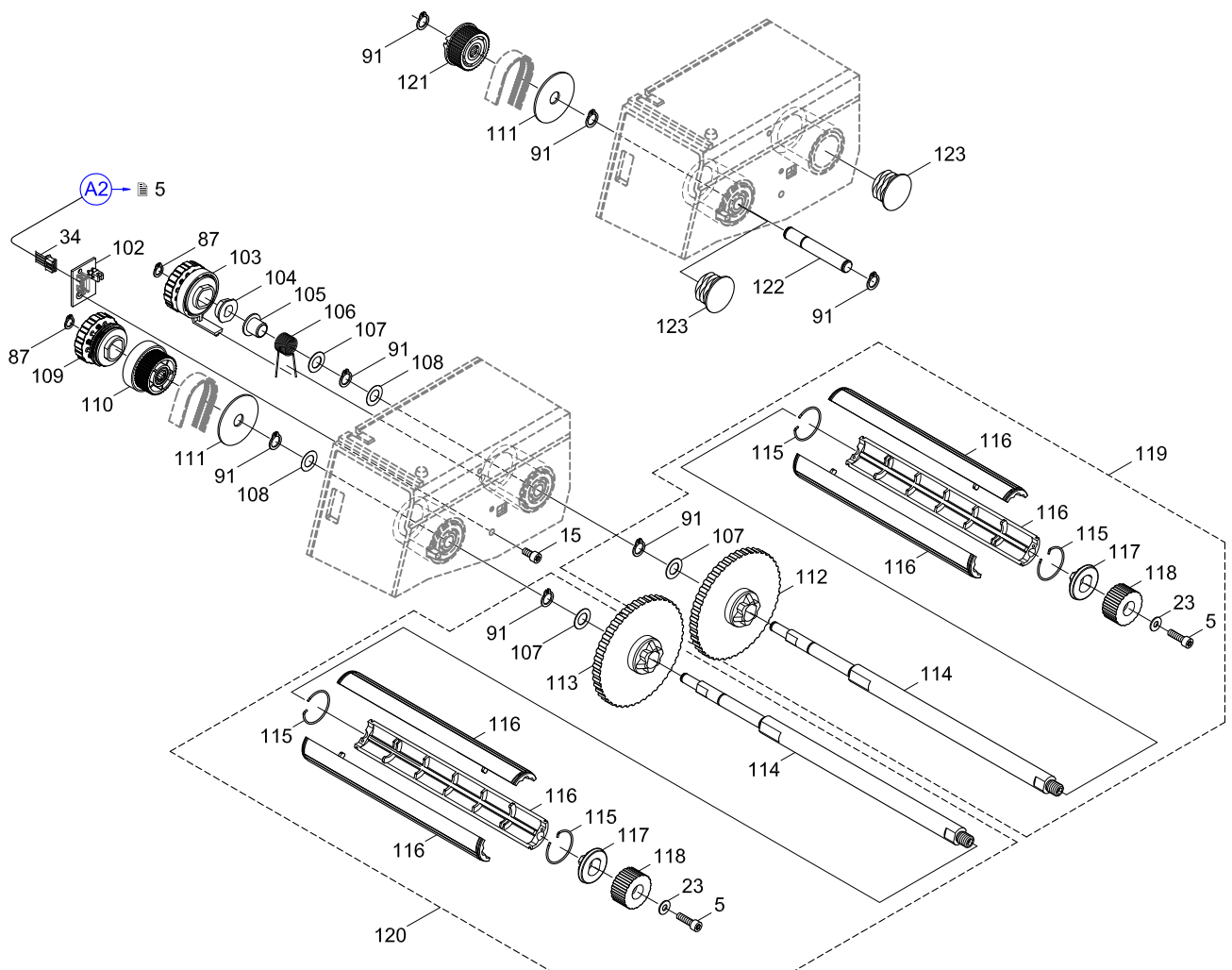
Notes	a	A6+...
	b	A6+...P
	c	A6+... Direct Thermal
	d	A6+...P Direct Thermal



No	Part No.	Description	PU	Note	Serial No.	
					from	to
5	5902565.001	Screw DIN7984-M4x10	10			
15	5902571.001	Screw DIN7984-M4x6	10			
23	5903003.001	Washer DIN125-A4.3	10			
34	5954098.001	Cable Sensors	1			
87	5903521.001	Snap Ring DIN471-A6	10			
91	5903516.001	Snap Ring DIN471-8x0.8	10			
102.1	5954024.001	Ribbon Sensor	1	ab		
102.2	5954028.001	PCB Detection	1	cd		
103	5954114.001	Brake	1			
104	5541172.001	Pivot Arm	1			
105	5901123.001	Plastic Bushing	10			
106	5954131.001	Spring	5			
107	5903020.001	Washer DIN988-8x14x0.5	10			
108	5903038.001	Washer DIN988-8x14x0.2	10			
109	5954151.001	Slipping Clutch	1			

No	Part No.	Description	PU	Note	Serial No.	
					from	to
110	5954115.001	Gear 42	1			
111	5903128.001	Washer 35x8.4x1.25	10			
112	5954120.001	Wall Spacer	1			
113	5954112.001	Wall Spacer	1			
114	5954250.001	Axle	1			
115	5954124.001	Snap Ring	1			
116	5954221.001	Shell	3			
117	5954121.001	Cone	1			
118	5943022.001	Knurled Knob	1			
119	5954249.001	Ribbon Supply Hub	1			
120	5954248.001	Ribbon Takeup Hub	1			
121	5536569.001	Gear 42-08	1	d		
122	5954129.001	Axle	1	d		
123	5905699.001	Stopper 25x1	1	cd		

Notes	a	A6+...
	b	A6+...P
	c	A6+... Direct Thermal
	d	A6+...P Direct Thermal

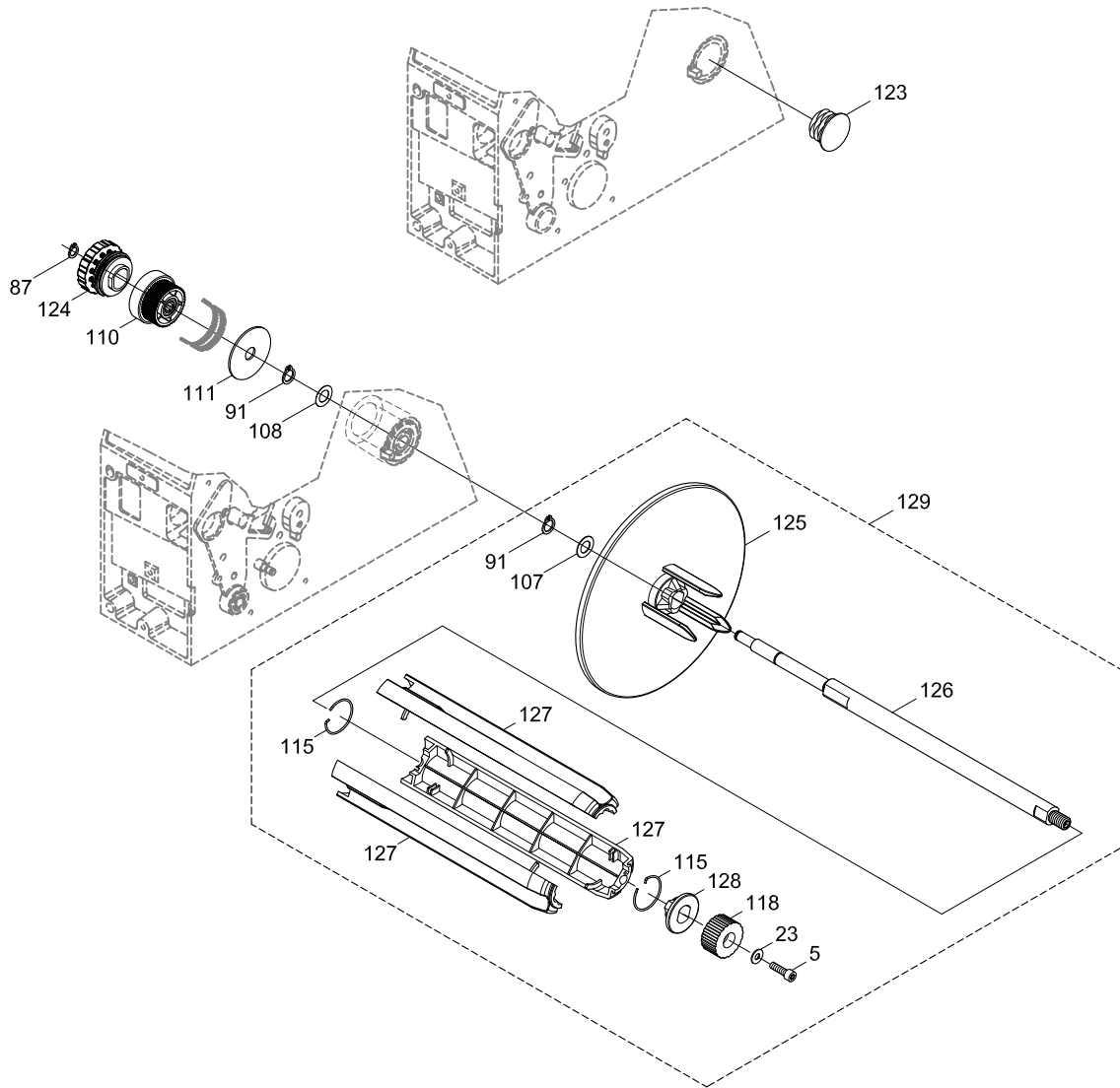




No	Part No.	Description	PU	Note	Serial No.	
					from	to
5	5902565.001	Screw DIN7984-M4x10	10			
23	5903003.001	Washer DIN125-A4.3	10			
87	5903521.001	Snap Ring DIN471-A6	10			
91	5903516.001	Snap Ring DIN471-8x0.8	10			
107	5903020.001	Washer DIN988-8x14x0.5	10			
108	5903038.001	Washer DIN988-8x14x0.2	10			
110	5954115.001	Gear 42	1			
111	5903128.001	Washer 35x8.4x1.25	10			
115	5954124.001	Snap Ring	1			

No	Part No.	Description	PU	Note	Serial No.	
					from	to
118	5943022.001	Knurled Knob	1			
123	5905699.001	Stopper 25x1	1	ac		
124	5954146.001	Slipping Clutch	1			
125	5954145.001	Rewinder Wall Plate	1			
126	5954252.001	Shaft, Takeup	1			
127	5954253.001	Shell	3			
128	5954143.001	Cone	1			
129	5954251.001	Internal Rewinder	1			

Notes	a	A6+/-...
	b	A6+/-...P
	c	A6+/-... Direct Thermal
	d	A6+/-...P Direct Thermal



Pos.	Figure/Page								Nr.	Part No.	Description	PU	SPR				Notes	Serial No.	
													from	to					
1							8		121	5536569.001	Gear 42-08	1							
2			4						27	5540868.001	LCD Display	1			C	D			
3			4						31	5540930.001	Navigator Pad	1				D			
4							8		104	5541172.001	Pivot Arm	1							
5			4						18	5551118.001	CPU X2	1		B	C	D			
6					6				58	5901026.001	Plastic Bushing	1							
7						7			97.1	5901034.001	Bushing	1					bd	139908	
8					6				64	5901036.001	Plastic Bushing	1							
9						7			101	5901071.001	Ball Bearing DIN625-F688-ZZ	1							
10						7			92	5901090.001	Ball Bearing DIN625-F608-ZZ	1							
11							8		105	5901123.001	Plastic Bushing	10				D			
12				5					39	5902011.001	Screw DIN912-M3x20	10							
13				5					50	5902145.001	Screw DIN923-M3x6	10							
14	3				6	7			1	5902241.001	Screw DIN7984-M4x10	10							
15			4						29	5902414.001	Screw EJOT-PT-K30x12	10							
16				5					38	5902457.001	Screw DIN7985-M2x10	10							
17				5					53	5902474.001	Screw DIN912-M3x16	10							
18	3	4	5	6	7	8	9		5	5902565.001	Screw DIN7984-M4x10	10							
19			4		6		8		15	5902571.001	Screw DIN7984-M4x6	10							
20				5	6				37	5902572.001	Screw DIN7984-M4x16	10							
21				5					45	5902573.001	Screw DIN7991-M4x8	10							
22				5					46	5902823.001	Screw DIN921-M3x6	10							
23		4				7	8	9	23	5903003.001	Washer DIN125-A4.3	10							
24					6				66	5903005.001	Washer DIN9021-4.3	10							
25			4						22	5903011.001	Toothed Washer DIN6797-A4.3	10							
26							8	9	107	5903020.001	Washer DIN988-8x14x0.5	10							
27							8	9	108	5903038.001	Washer DIN988-8x14x0.2	10							
28							8	9	111	5903128.001	Washer 35x8.4x1.25	10							
29					6				69	5903507.001	E-Ring DIN6799-3.2	10							
30						7	8	9	91	5903516.001	Snap Ring DIN471-8x0.8	10							
31						7	8	9	87	5903521.001	Snap Ring DIN471-A6	10							
32						7			89	5905196.001	Belt 150MXL 037	1			C	D	ac		
33						7			95	5905649.001	Belt 106MXL 037	1			C	D	ac		
34	3								6	5905652.001	Foot	1			C	D			
35							8	9	123	5905699.001	Stopper 25x1	1							
36						7			94	5905857.001	Belt 120MXL 037	1			C	D	bd		
37				6					70	5905866.001	Stopper 16x0.8	1					ac		
38				6					68	5905885.001	Stopper M4x10	1		B	C	D			
39				6					60	5906112.001	Spring	1			C	D			
40						7			90	5906135.001	Belt 300MXL 037	1			C	D	bd		
41				5					41	5906136.001	Spring	5							
42						7			99.1	5906157.001	Shock Absorber	5			C	D	ac		
43	3								4	5943004.001	Cover	1					ac		
44	3								10	5943007.001	Cover	1							
45							8	9	118	5943022.001	Knurled Knob	1				D			
46					6				63	5943025.001	Media Guide Ring	1				D			
47			4						17	5943107.001	Cable Power Supply	1							
48	3								8	5943113.001	Cover	1							
49	3								7.1	5943196.001	Baseplate	1					ac		
50					6				75	5943225.001	Strip	1							
51					5				57	5946113.001	Allen Key	1							
52						7			98	5946206.001	Stepper Motor	1			C	D			
53						7			88	5946238.001	Gear 29	1					bd		
54					6				73	5946413.001	Dispense Plate DP6	1					bd		
55					6				72	5946414.001	Tear-off Plate TP6	1					ac		
56	3								13	5946450.001	Locking System	1				D	bd		
57	3								12	5946462.001	Pinch Roller	1			C	D	bd		
58	3								7.2	5946478.001	Baseplate	1					bd		
59	3								14	5946480.001	Plate	1					bd		
60					6				59	5946570.001	Bearing Plate	1							
61					6				65	5946571.001	Bearing Plate	1							
62					6				62	5946575.001	Axle	1							
63					6				61	5946576.001	Axle	1							

PU Package unit

Notes

a - A6+/  
b - A6+...P  
c - A6+... Direct Thermal  
d - A6+...P Direct Thermal  
e - A6+/200 (P)  
f - A6+/300 (P)

SPR Recommendation

A - wearing parts and accessories  
B - recommended spare parts for quick repair  
C - recommended spare parts for distributors  
D - recommended spare parts for central stores

Pos.	Figure/Page					Nr.	Part No.	Description	PU	SPR				Notes	Serial No.	
64				6		67	5946581.001	Swing	1							
65				7		99.2	5949727.001	Distance Bolt M4x10	1					bd		
66	3					3.4	5953897.001	Chassis	1					d		
67	3					11	5954013.001	Metal Cover	1							
68	3					9	5954016.001	Cover cab A6+	1							
69	3					3.1	5954019.001	Chassis	1					a		
70		4				33	5954020.001	Control Panel	1			C	D			
71					8	102.1	5954024.001	Ribbon Sensor	1			C	D	ab		
72		4				32	5954025.001	Control Panel Cover	1							
73		4				28	5954026.001	Holder	1							
74		4				26	5954027.001	Cable Control Panel	1							
75					8	102.2	5954028.001	PCB Detection	1					cd		
76		5				56	5954059.001	Lever	1							
77		5				40	5954060.001	Pivot Arm	1							
78				6		74	5954090.001	Label Sensor	1			C	D			
79		4				16	5954095.001	Cable Periphery	1							
80		4				25	5954097.001	Cable Control Panel	1							
81		5	6		8	34	5954098.001	Cable Sensors	1							
82		5				54.2	5954106.001	Printhead 6/300	1	A	B	C	D	f		
83					8	113	5954112.001	Wall Spacer	1							
84					8	103	5954114.001	Brake	1		B	C	D			
85					8	9	110	5954115.001	Gear 42	1						
86					8	112	5954120.001	Wall Spacer	1							
87					8	117	5954121.001	Cone	1				D			
88					8	9	115	5954124.001	Snap Ring	1		B	C	D		
89					8	122	5954129.001	Axle	1							
90					8	106	5954131.001	Spring	5							
91		4				24	5954132.001	Strip	5							
92		5				48	5954134.001	Bracket	1							
93					9	128	5954143.001	Cone	1				D			
94					9	125	5954145.001	Rewinder Wall Plate	1							
95					9	124	5954146.001	Slipping Clutch	1							
96					8	109	5954151.001	Slipping Clutch	1		B	C	D			
97				7		97.2	5954157.001	Roller	1					bd	139909	
98				7		96.2	5954158.001	Bolt	1					bd	139909	
99				7		86	5954160.001	Belt Tension Bracket	1					bd		
100		4				19	5954179.001	Cover Plate	1							
101				7		93	5954182.001	Shaft	1							
102				7		100	5954184.001	Shaft	1					bd		
103				7		96.1	5954185.001	Bolt	1					bd		139908
104		5				44	5954216.001	Profile	1							
105		5				54.1	5954217.001	Printhead 6/200	1	A	B	C	D	e		
106					8	116	5954221.001	Shell	3				D			
107		5				52	5954231.001	Printhead Mounting Bracket	1							
108		5				47	5954239.001	Spring	1							
109		5				43	5954240.001	Printhead Locking System	1							
110		5				51	5954242.001	Roller	1							
111		5				42	5954243.001	Roller Ribbon	1							
112			6			71	5954244.001	Profile	1							
113			6			76	5954245.001	Drive Roller DR6	1	A	B	C	D			
114			6			77	5954246.001	Roller RR6	1			C	D	bd		
115					8	120	5954248.001	Ribbon Takeup Hub	1							
116					8	119	5954249.001	Ribbon Supply Hub	1							
117					8	114	5954250.001	Axle	1							
118					9	129	5954251.001	Internal Rewinder	1							
119					9	126	5954252.001	Shaft, Takeup	1							
120					9	127	5954253.001	Shell	3							
121		5				36	5954258.001	Cable Printhead	1							
122		5				35	5954259.001	Cable Printhead	1							
123		5				49	5954261.001	Bracket	1							
124	3					2	5954399.001	Cover Plate	1							
125		4				30	5955034.001	PCB Navi Button	1			C	D			
126		4				20	5955046.001	Power Input Module	1			C	D			

PU Package unit

Notes

a - A6+...

b - A6+...P

c - A6+... Direct Thermal

d - A6+...P Direct Thermal

e - A6+200 (P)

f - A6+300 (P)

SPR Recommendation

A - wearing parts and accessories

B - recommended spare parts for quick repair

C - recommended spare parts for distributors

D - recommended spare parts for central stores

Pos.	Figure/Page							Nr.	Part No.	Description	PU	SPR				Notes	Serial No.	
												from	to					
127		4						21	5956220.001	Power Supply	1			C	D			
128				6				78	5958711.001	Side Plate	1					ac		
129				6				79	5958713.001	Side Plate	1					bd		
130	3							3.2	5958778.001	Chassis	1					b		
131	3							3.3	5958779.001	Chassis	1					c		
132				7				84	5959611.001	Adapter 75 mm Ø	1							
133				7				81	5959612.001	Adapter 75 mm Ø	1							
134				7				82	5959624.001	Knurled Screw	1							
135			5					55	5959742.001	Side Plate	1							
136				7				80	5959807.001	Media Hub	1							
137				7				85	5959937.001	Margin Stop	1							
138				7				83	8910053.001	Square Nut M4 8mm	10							

## 9 Packaging/Accessories

Pos.	Figure/Page							Nr.	Part No.	Description	PU	SPR				Notes	Serial No.	
												from	to					
139								-	5550611.001	Power Cable Type E+F	1							
140								-	5901655.001	Cable USB	1							
141								-	9109293.001	Packaging	1							
142								-	9009133.001	DVD A+ de/en/fr	1							

PU Package unit

SPR Recommendation

A - wearing parts and accessories

B - recommended spare parts for quick repair

C - recommended spare parts for distributors

D - recommended spare parts for central stores

Notes

a - A6+...

b - A6+...P

c - A6+... Direct Thermal

d - A6+...P Direct Thermal

e - A6+/200 (P)

f - A6+/300 (P)